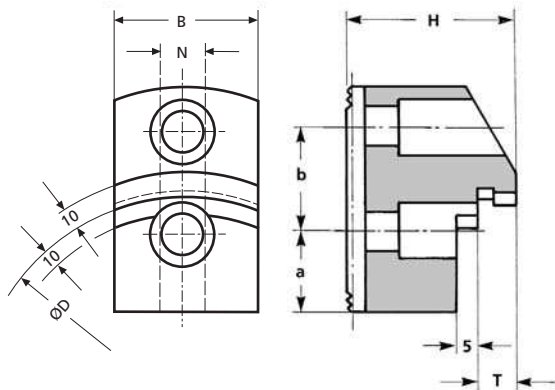


# hard special jaws on customer request

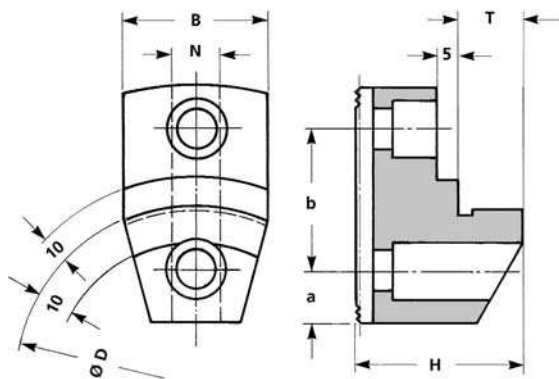
hard top jaws  
INCH serration

## hard top jaw for external clamping



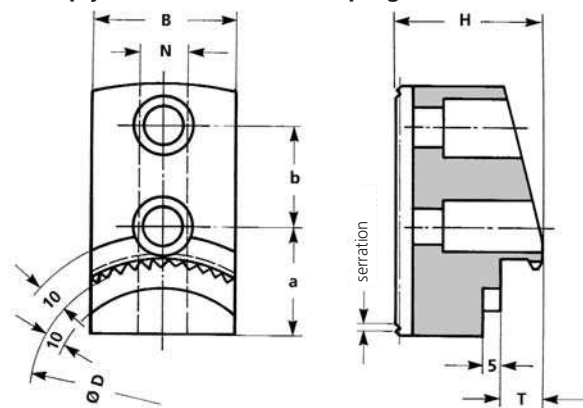
B
H
T
D
N
a
b
serration (e.g. 1,5 x 60°)
work-piece Ø
chuck maker
chuck type
material

## hard top jaw for internal clamping

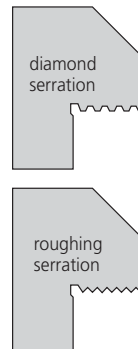


B
H
T
D
N
a
b
serration (e.g. 1,5 x 60°)
work-piece Ø
chuck maker
chuck type
material

## hard top jaw for external clamping

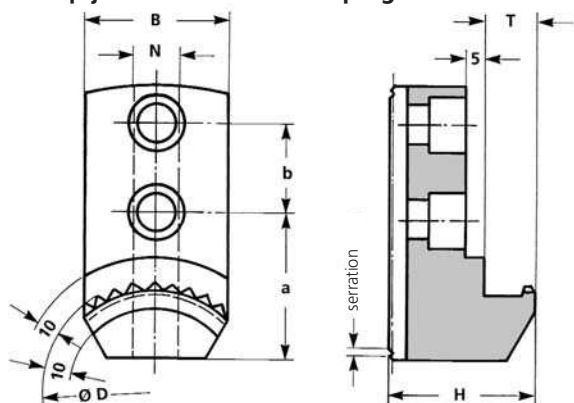


### clamping area

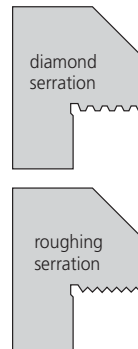


B
H
T
D
N
a
b
serration (e.g. 1,5 x 60°)
work-piece Ø
chuck maker
chuck type
material

## hard top jaw for internal clamping



### clamping area



B
H
T
D
N
a
b
serration (e.g. 1,5 x 60°)
work-piece Ø
chuck maker
chuck type
material