

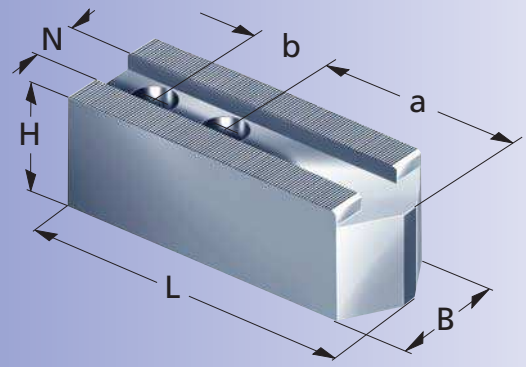
soft top jaws

AWB-M

long, tipped version

METRIC serration
1,5 x 60° or 3 x 60°

Material: 16MnCr5
serration ground



Type	Id.-No.	B	H	L	N	serration	a + b for DIN 912	kg/set	SMW-AUTOBLOK	Howa	Kitagawa	Schunk
AWB-M 1201	081719	30	30	82	12	1,5 x 60°	47 + 20 M10	1,4	HFKN-M 165 AN/AL/BH/-M 165 BHM-FC 165 RC-M 165 AP/NT-M 170 BB-M 175 HB/PB/PBI-M 165	HO7MA6 HO15M6 HO22M6 HO24M6 HO27M6 HO37M6 HO47M6	AS165 B-06/-106/-160/-206 BB-06/-206 BL-206 • B-07 HJA 5-6 HOB-6 • HO-6 HOH-06/-106/-160/-206 HOS 6 N-06/-160 • NL-06	HSL 165 ROTA NC/NCF plus185 ROTA NCK/ROTA NCK plus 165 ROTA NC/NCF 165
AWB-M 1401	081720	35	40	102	14	1,5 x 60°	54 + 25 M12	3,5	HFKN-M 210 AN/AL/BH/BB-M 210 BHM-FC 210 RC-M 210 AP/APL/NT-M 215 HB/PB/PBI-M 210	HO7MA8 HO15MA8 HO23MA8	AS210 B-08/-108/-200/-208 BB-08/-208 BL-208 • HJA 6-8 HO 8 • HOB 8 HOH-8/-108/-200/-208 HOS 8 N-08/-200 • NL-08	HSL 210 ROTA NCD/NCK 210 ROTA NCK plus 210 ROTA NC/NCF plus 215
AWB-M 1611	081722	40	40	125	16	1,5 x 60°	65 + 30 M12	3,2	HFKN-M 260 AN/AL/BH/BB-M 250 BHM-FC 250 RC-M 250 AP/APL/NT-M 260 HB/PB/PBI-M 250		AS250 B-10/-110/-210/-210X/-250 BB-10/-210 • BL-210 HJA 6-10/ 8-10 HO-10 • HOB-10 HOH-10/-110/-210/-250 HOS-10 N-10/-250 • NL-10	HSL 250 ROTA NC/NCD/NCF/NCK 250 ROTA NCK plus 250 ROTA NC/NCF plus 260
AWB-M 1802	081723	50	50	145	18	1,5 x 60°	85 + 30 M14	6,2		HO7MA12 HO15M12 H23M12 HO22M10 HO24M10 HO27M10 HO37M10 HO47M10	B-12/-300 HJA 6-12/8-12 HLA 6-15/8-15 HO-12 • HOB-12 HOH-12/300 HOS-12 N-12/-300 • NL-12	HSL 315 ROTA NC/NCF 315
AWB-M 2101	236517	50	50	145	21	1,5 x 60°	85 + 30 M16	6,2	HFKN-M 315 BHM-FC 315 AN/AL/BH/BB-M 315 RC-M 305 AP/APL/NT-M 315 HB/PB/PBI-M 315		B-212 BB-212 BL-212	HSL 315 ROTA NCD/NCK 315 ROTA NC/NCK/NCF plus 315
AWB-M 400*	036791	60	60	140	25,5	3 x 60°	80 + 35 M20	9,6	HFKN-M 400 HFKN-M 500			

*without incline



Page 6



Page 45
Page 53
Page 143
Page 144



Page 62



Page 66