

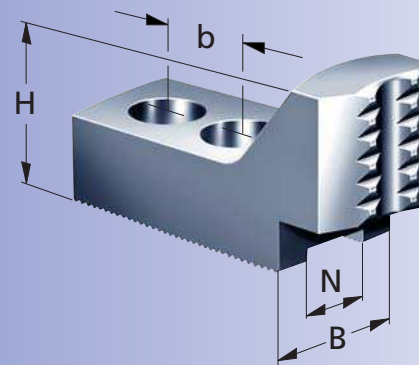
# hard bar roughing jaws

## GSG-M

METRIC serration

1,5 x 60°

serration ground

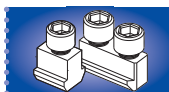


Type	Id.-No.	clamping range Ø	B	H	N	serration	b for DIN 912	kg/set	SMW-AUTOBLOK	Howa	Kitagawa	Schunk
GSG-M 120	091347	15-30	30	40	12	1,5 x 60°	20 M10	1,1	HFKN-M 165 AN/AL/BH-M 165 BHM-FC 165 RC-M 165 AP/NT-M 170 BB-M 175 HB/PB/PBI-M 165	HO7MA6 HO15M6 HO22M6 HO24M6 HO27M6 HO37M6 HO47M6	AS165 B-06/-106/-160/-206 BB-06/-206 BL-206 • B-07 HJA 5-6 HOB-6 • HO-6 HOH-06/-106/-160/-206 HOS 6 N-06/-160 • NL-06	HSL 165 ROTA NC plus 185 ROTA NCF plus 185 ROTA NCD 165-185 ROTA NCK 165 ROTA NCK plus 165 ROTA NC/NCF 165
GSG-M 140	091348	20-50	35	45	14	1,5 x 60°	25 M12	1,6	HFKN-M 210 AN/AL/BH/BB-M 210 BHM-FC 210 RC-M 210 AP/APL/NT-M 215 HB/PB/PBI-M 210	HO7MA8 HO15MA8 HO23MA8	AS210 B-08/-108/-200/-208 BB-08/-208 BL-208 HJA 6-8 HO 8 • HOB 8 HOH-8/-108/-200/-208 HOS 8 N-08/-200 • NL-08	HSL 210 ROTA NCD/NCK 210 ROTA NC 210 ROTA NCF 210 ROTA NCK plus 210 ROTA NC plus 215 ROTA NCF plus 215
GSG-M 160	091349	20-60	40	50	16	1,5 x 60°	30 M12	1,8	HFKN-M 260 AN/AL/BH/BB-M 250 BHM-FC 250 RC-M 250 AP/APL/NT-M 260 HB/PB/PBI-M 250		AS250 B-10/-110/-210/-210X/-250 BB-10/-210 BL-210 HJA 6-10/8-10 HO-10 • HOB-10 HOH-10/-110/-210/-250 HOS-10 N-10/-250 • NL-10	HSL 250 ROTA NC/NCD 250 ROTA NCF/NCK 250 ROTA NCK plus 250 ROTA NC plus 260 ROTA NCF plus 260
GSG-M 180	091350	30-80	50	50	18	1,5 x 60°	30 M14	3,6		HO7MA12 HO15M12 H23M12 HO22M10 HO24M10 HO27M10 HO37M10 HO47M10	B-12/-300 HJA 6-12/8-12 HLA 6-15/8-15 HO-12 HOB-12 HOH-12/300 HOS-12 N-12/-300 • NL-12	HSL 315 ROTA NC/NCF 315
GSG-M 210	091351	30-80	50	50	21	1,5 x 60°	30 M16	3,6	AN-M 315 AL-M 315 BH-M 315 BHM-FC 315 BB-M 315 PB-M 315 PBI-M 315 HB-M 315 HFKN-M 315 AP/NT-M 315		B-212 BB-212 BL-212	HSL 315 ROTA NCD/NCK 315 ROTA NC/NCK plus 315 ROTA NCF plus 315

hard top jaws  
METRIC serration



Page 53  
Page 143  
Page 144



Page 62