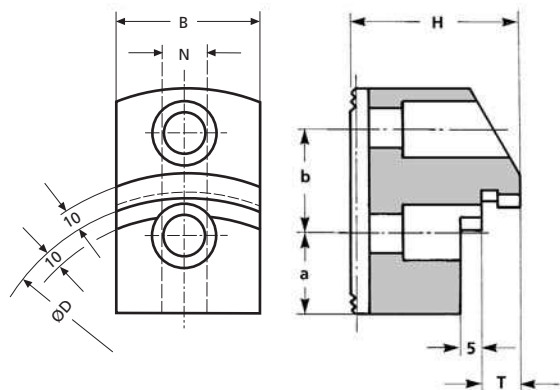


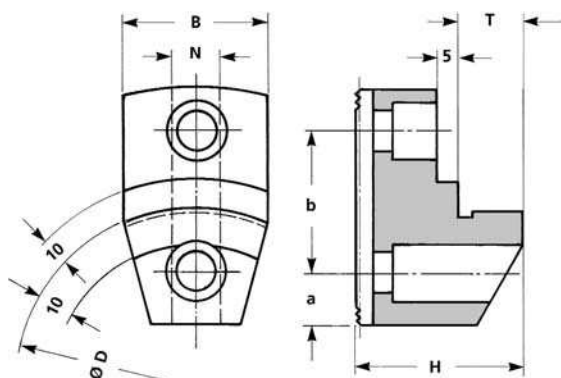
hard special jaws on customer request

hard top jaws for external clamping



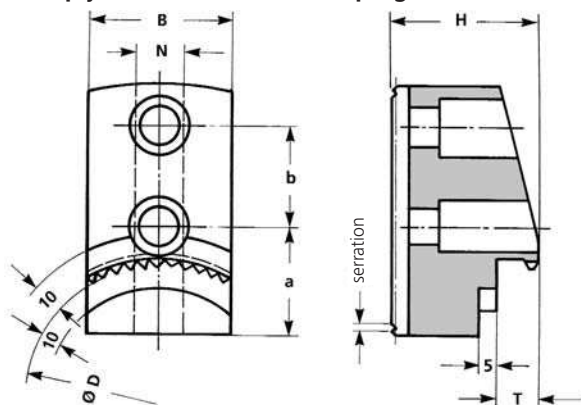
B
H
T
D
N
a
b
serration (e.g. 1,5 x 60°)
work-piece Ø
chuck maker
chuck typ
material

hard top jaws for internal clamping

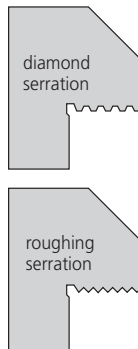


B
H
T
D
N
a
b
serration (e.g. 1,5 x 60°)
work-piece Ø
chuck maker
chuck typ
material

hard top jaws for external clamping

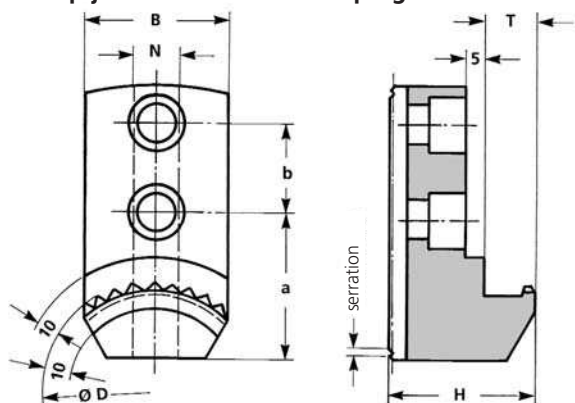


clamping area

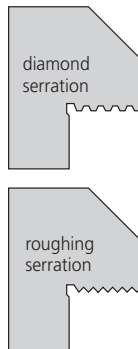


B
H
T
D
N
a
b
serration (e.g. 1,5 x 60°)
work-piece Ø
chuck maker
chuck typ
material

hard top jaws for internal clamping



clamping area



B
H
T
D
N
a
b
serration (e.g. 1,5 x 60°)
work-piece Ø
chuck maker
chuck typ
material