

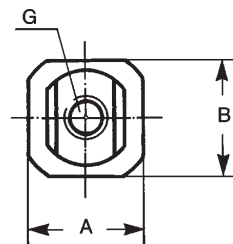
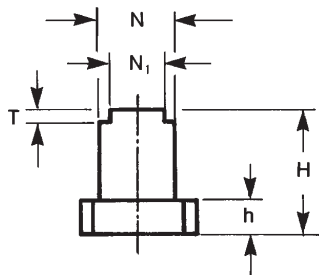
## Datasheet / order form

# special T-nuts

Existing top jaws can be adapted to different chucks by using stepped T-nuts.

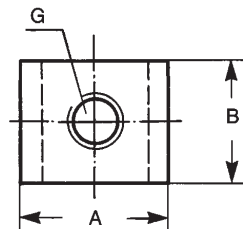
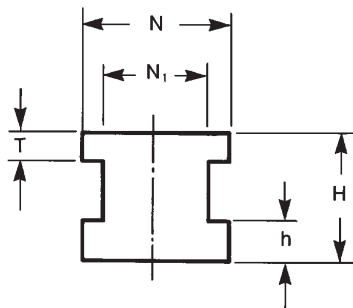
Fill in the requested data and send with the inquiry or the PO.

### T-nuts type NSO 10



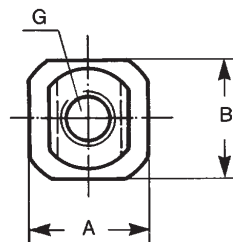
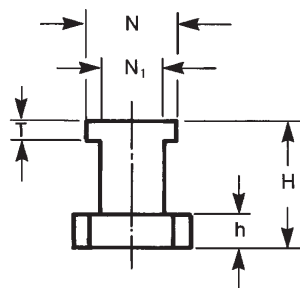
|                |       |
|----------------|-------|
| A              | ..... |
| B              | ..... |
| G              | ..... |
| H              | ..... |
| h              | ..... |
| N              | ..... |
| N <sub>1</sub> | ..... |
| T              | ..... |

### T-nuts type NSO 20



|                |       |
|----------------|-------|
| A              | ..... |
| B              | ..... |
| G              | ..... |
| H              | ..... |
| h              | ..... |
| N              | ..... |
| N <sub>1</sub> | ..... |
| T              | ..... |

### T-nuts type NSO 30



|                |       |
|----------------|-------|
| A              | ..... |
| B              | ..... |
| G              | ..... |
| H              | ..... |
| h              | ..... |
| N              | ..... |
| N <sub>1</sub> | ..... |
| T              | ..... |