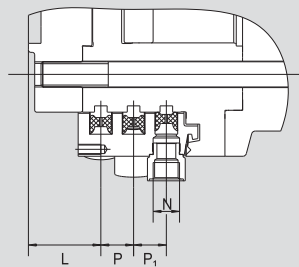
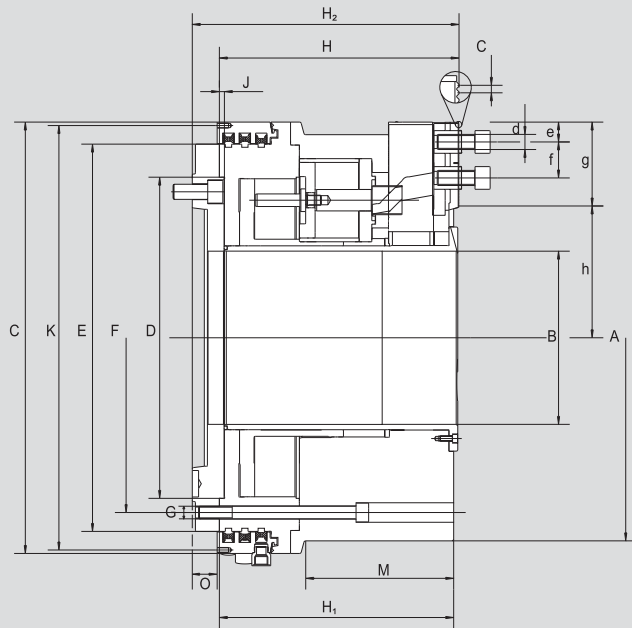
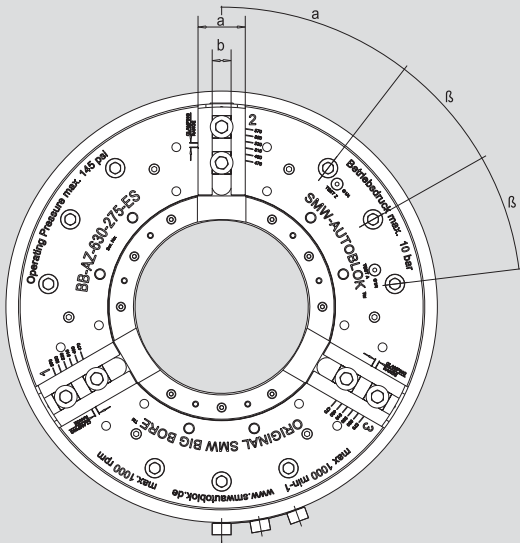


# BIG BORE® BB-AZ-ES

INCH serration

## Main dimensions and technical data



All hoses must be min. Ø 14 mm i.d.

Subject to technical changes  
For more detailed information please ask for customer drawing

SMW-AUTOBLOK Type			BB-AZ-ES 590-220	BB-AZ-ES 630-275	BB-AZ-ES 750-370
Id. No. A15 mounting			053510	053883	053892
Id. No. A20 mounting				053884	053892
Mounting			A15	A15	A20
	<b>A</b>	mm	570	645	750
	<b>B</b>	mm	220	275	370
	<b>C</b>	mm	590	685	775
	<b>D H6</b>	mm	415	510	590
	<b>E</b>	mm	520	615	705
Fixing bolts circle	<b>F</b>	mm	468	555	640
	<b>G</b>	mm	M20	M20	M20
	<b>H</b>	mm	380.5	380.5	380.5
	<b>H1</b>	mm	372	372	372
	<b>H2</b>	mm	420.5	423.5	423.5
	<b>J</b>	mm	8	8	8
Thread circle 12 x M8	<b>K</b>	mm	555	674	755
	<b>L</b>	mm	54.5	57.5	57.5
	<b>M</b>	mm	235	235	235
Pneumatic connection	<b>N</b>	inch	G 3/4"	G 3/4"	G 3/4"
	<b>O</b>		33	39.5	36
	<b>P</b>	mm	26	26	26
	<b>P1</b>	mm	26	26	26
	<b>a</b>	mm	61	75	75
	<b>b</b>	mm	25.5	30	30
Serration	<b>c</b>	inch	3/32 x 90°	3/32 x 90°	3/32 x 90°
Bolt DIN 912 12.9	<b>d</b>	mm	M20	M24	M24
	<b>e</b>	mm	21	25	25
T-nuts distance	<b>f</b>	mm	30/97	36/98	36/98
Serration length	<b>g</b>	mm	126	135	135
	<b>h</b>	mm	159.5/184.9	183.9/209.3	258.3/332.9
	$\alpha^\circ$	deg.	37.5	37.5	37.5
	$\beta^\circ$	deg.	22.5	22.5	22.5