

High precision power chucks \varnothing 125 - 400 mm

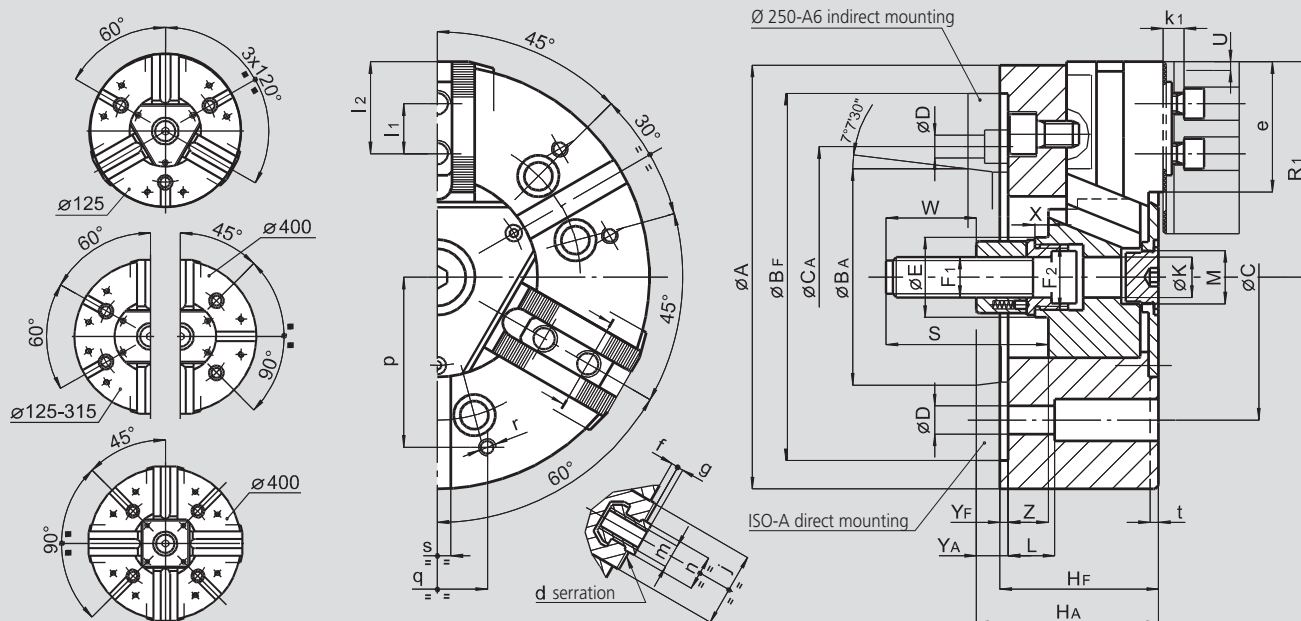
- closed center
- LONG STROKE
- 2 and 3 jaws (4 jaws only \varnothing 400 mm)

AL-D

INCH serration

AL-M

METRIC serration



Subject to technical changes
For more detailed information please ask for customer drawing

SMW-AUTOBLOK Type		AL-D 125 AL-M 125		AL-D 165 AL-M 165		AL-D 210 AL-M 210		AL-D 250 AL-M 250			AL-D 315 AL-M 315		AL-D 400 AL-M 400	
Mounting		Z115	A4	Z140	A5	Z170	A6	Z220	A6	A8	Z220	A8	Z300	A11
A	mm	127		165		210		254			315		390	
Bf/BA H6	mm	115	63.513	140	82.563	170	106.375	220	106.375	139.719	220	139.719	300	196.869
C	mm	82.6		104.8		133.4		171.4			171.4		235	
CA	mm	-	-	-	-	-	-	-	133.4	-	-	-	-	-
D	mm	11.5		11.5		13.5		17			17		21	
E	mm	25		32		41		47			47		86	
F1	mm	M12 x 1.25		M16		M20		M24			M24		M24	
F2	mm	M18 x 1.5		M24 x 2		M32 x 1.5		M38 x 1.5			M38 x 1.5		M75 x 2	
Hf/HA	mm	59	67	71	81	85	97	95	114	109	105	119	116	131
K	mm	10		17		20		25			25		65	
L	mm	32		23		32		28			38		54	
M	mm	M16 x 1.5		M24 x 1.5		M32 x 1.5		M32 x 1.5			M38 x 1.5		M68 x 2	
Chuck open	R1	67		86		109		133			164		202	
	S	77		104		97		103			103		105	
Jaw stroke	U	6		7		8.5		10			12		13	
	W	40		52		55		60			60		60	
	X	12		17		8		8			8		8	
	Yf/YA	5	13	5	15	5	17	5	24	19	5	19	6	21
max./min.	Z	mm 15/0		mm 17/0		mm 21/0		mm 24/-1			mm 30/0		mm 33/0	
AL-D	d	inch 1/16" x 90°		inch 1/16" x 90°		inch 1/16" x 90°		inch 1/16" x 90°			inch 1/16" x 90°		inch 3/32" x 90° (1)	
AL-M	d	mm 1.5 x 60°		mm 1.5 x 60°		mm 1.5 x 60°		mm 1.5 x 60°			mm 1.5 x 60°		mm 1.5 x 60°	
	e	mm 37		mm 49		mm 61		mm 77			mm 99		mm 116	
	f	mm 3		mm 4		mm 3		mm 4			mm 4		mm 6	
	g	mm 2.5		mm 2.5		mm 3		mm 3.5			mm 3.5		mm 3.5	
	j	mm 26		mm 30		mm 36		mm 45			mm 45		mm 62	
	k1	mm 10		mm 10		mm 11		mm 12			mm 12		mm 14	
AL-D	l1	mm 16		mm 16.5		mm 23		mm 30			mm 30		mm 38	
AL-M	l1	mm 16		mm 20		mm 25		mm 30			mm 30		mm 38	
max./min.	l2	mm 30/23		mm 40/24		mm 50/33		mm 62/43			mm 84/43		mm 90/49	
AL-D	m	mm M8		mm M10		mm M12		mm M16			mm M16		mm M20	
AL-M	m	mm M8		mm M10		mm M12		mm M12			mm M16		mm M20	
AL-D	n h8	mm 12		mm 14		mm 17		mm 21			mm 21		mm 25.5	
AL-M	n h8	mm 12		mm 12		mm 14		mm 16			mm 21		mm 22	
	p	mm 52		mm 65		mm 80		mm 102			mm 120		mm 150	
	q	mm 30		mm 36		mm 45		mm 60			mm 60		mm 80	
	r	mm M6		mm M8		mm M8		mm M10			mm M10		mm M12	
	s	mm 12		mm 16		mm 16		mm 16			mm 16		mm 20	
	t	mm 5		mm 5		mm 5		mm 5			mm 5		mm 5	