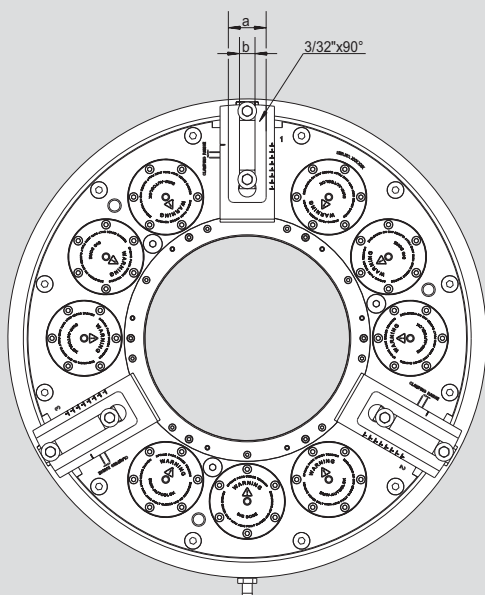


# BIG BORE® BB-SC

INCH serration

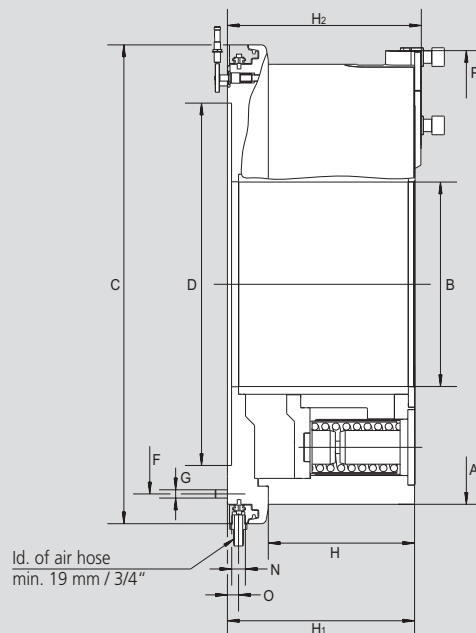
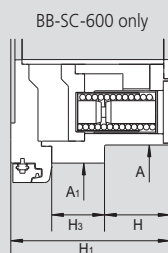
## Main dimensions and technical data



Opening pressure with all springs mounted  
5 bar/73 psi, max. 8 bar / 116 psi

Subject to technical changes

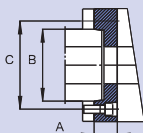
For more detailed information please ask for customer drawing



SMW-AUTOBLOK Type			BB-SC 600-275	BB-SC 850-395	BB-SC 1020-565
<b>Mounting</b>			<b>Z520</b>	<b>Z700</b>	<b>Z870</b>
(BB-SC-600-275)	<b>A</b>	mm	605	850	1020
Through hole	<b>A1</b>	mm	675	-	-
	<b>B</b>	mm	275	395	565
	<b>C</b>	mm	750	925	1095
	<b>D H6</b>	mm	520	700	870
	<b>F</b>	mm	640	810	980
	<b>G</b>		M12 (12x)	M16 (12x)	M16 (12x)
	<b>H</b>		126.7	282.5	282.5
	<b>H1</b>		307.5	361.5	361.5
	<b>H2</b>		320.5	374.5	374.5
(BB-SC-600-275)	<b>H3</b>		102	-	-
	<b>N</b>		G 3/4	G 3/4	G 3/4
	<b>O</b>		21.5	21.5	21.5
max. swing	<b>P</b>		655.8	902.8	1074
	<b>a</b>		58	73	73
	<b>b</b>		25.5	30	30
Rapid stroke		mm	16.9	15	15
Clamping stroke		mm	8.5	12	12
Total clamping stroke		mm	25.4	27	27

## Spindle adapters

Mounting  
ISO-A  
DIN 55026



BB-SC	600-275			850-395		1020-565		
Spindle nose	A11	A15	A20	A15	A20	A15	A20	A28
Id. No.	on request	053590	053591	053362	053358	on request	053595	053596