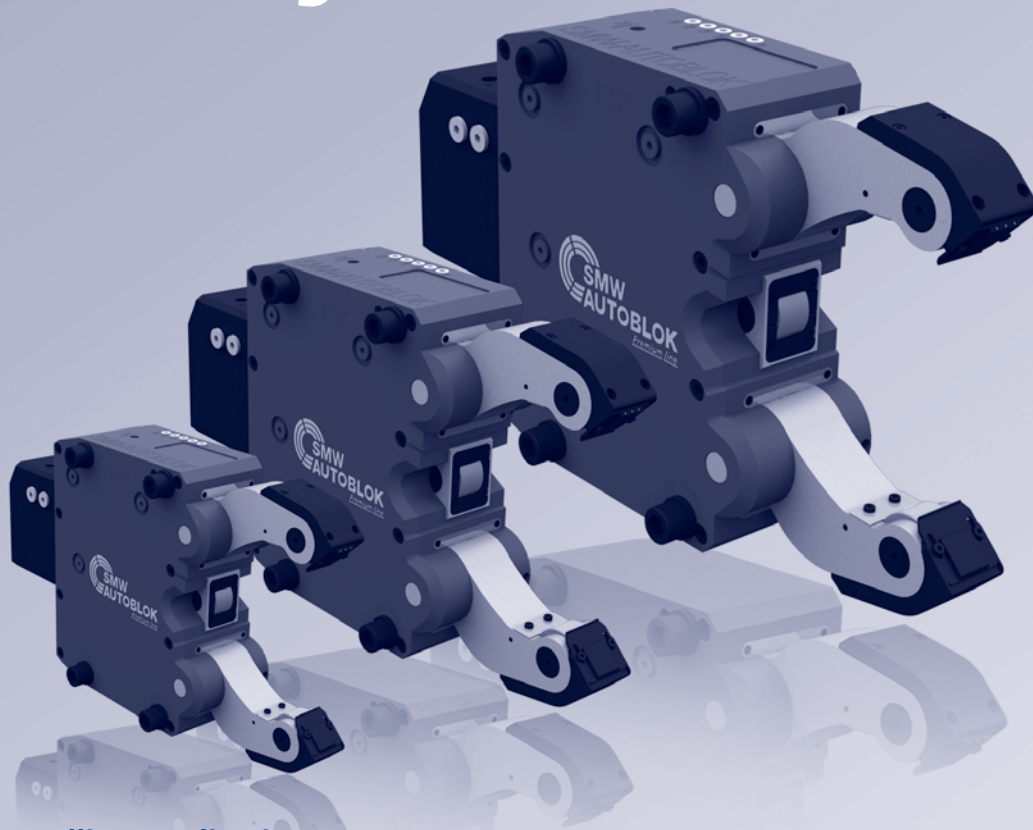
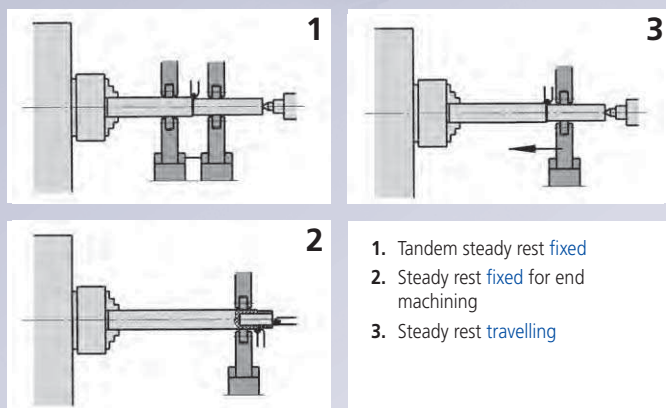


SMW-AUTOBLOK

worldwide leader in steady rests



Fixed or travelling application



SLU-X/SLUA/SLU-B

Standard line includes:

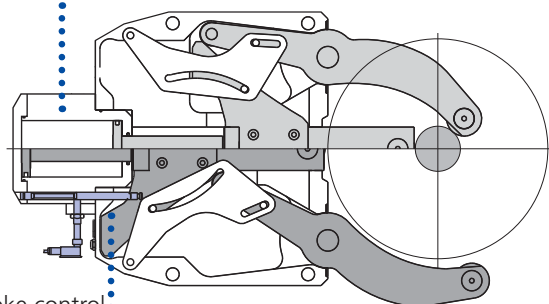
- fully sealed body (SLU-X only)
- safety valve
- stroke control (without proximity switch)
- port for compressed air
- central lubrication grease, oil or oil + air
- swarf guard

SR/K/KLU

Premium line includes:

- fully sealed body
- safety valve
- stroke control (without proximity switch)
- port for compressed air
- central lubrication grease, oil or oil + air
- integrated channels for coolant/air flush
- coolant/air chipguard to flush away chips/ swarf
- coolant through the center arm (SR-4 and larger only)

Safety non-return valve



Stroke control:
(proximity switch
not included)