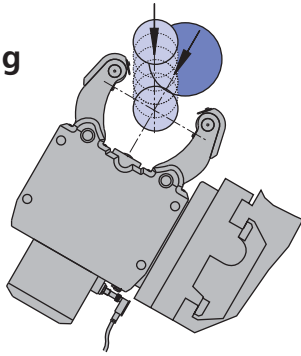
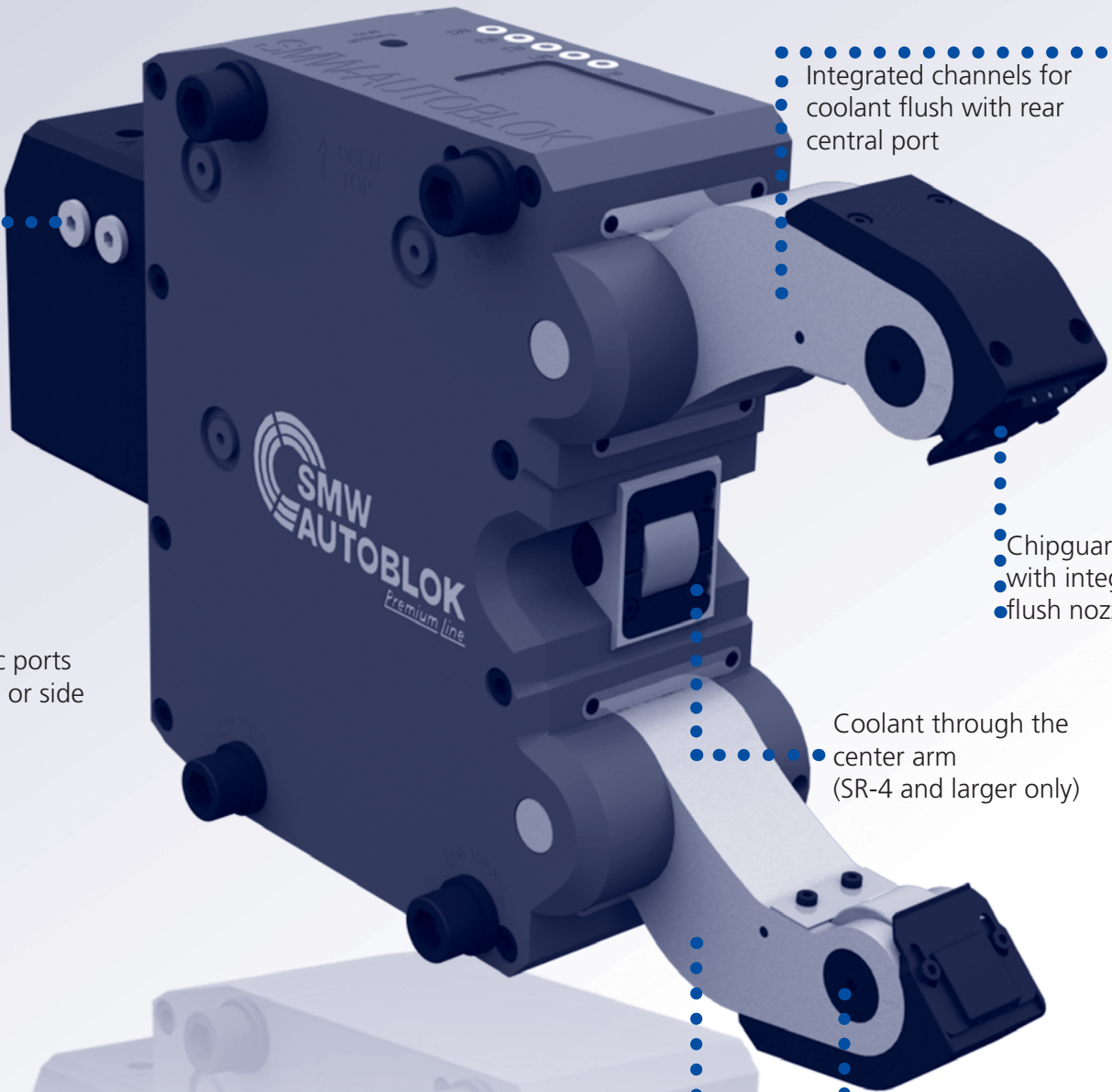
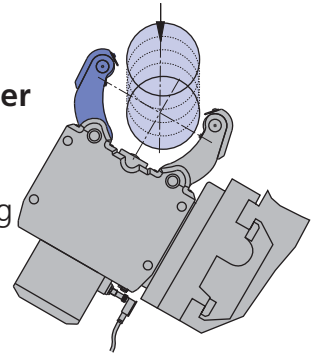


# SLU-X<sup>®</sup> / SR<sup>®</sup> / K / KLU

**SLU-X/K/KLU**  
large clamping  
range



**SLUA/SRA**  
additional  
pivoting upper  
arm  
for automatic  
vertical loading  
(worldwide  
patented)



Hydraulic ports  
from top or side

Integrated channels for  
coolant flush with rear  
central port

Chipguard  
with integrated  
flush nozzle

Coolant through the  
center arm  
(SR-4 and larger only)

**Patented mechanism  
to open steady  
rests arms without  
springs, wear free  
(worldwide patented)**

Arms and center-  
piece hardened

Easy change of rollers  
without loose parts