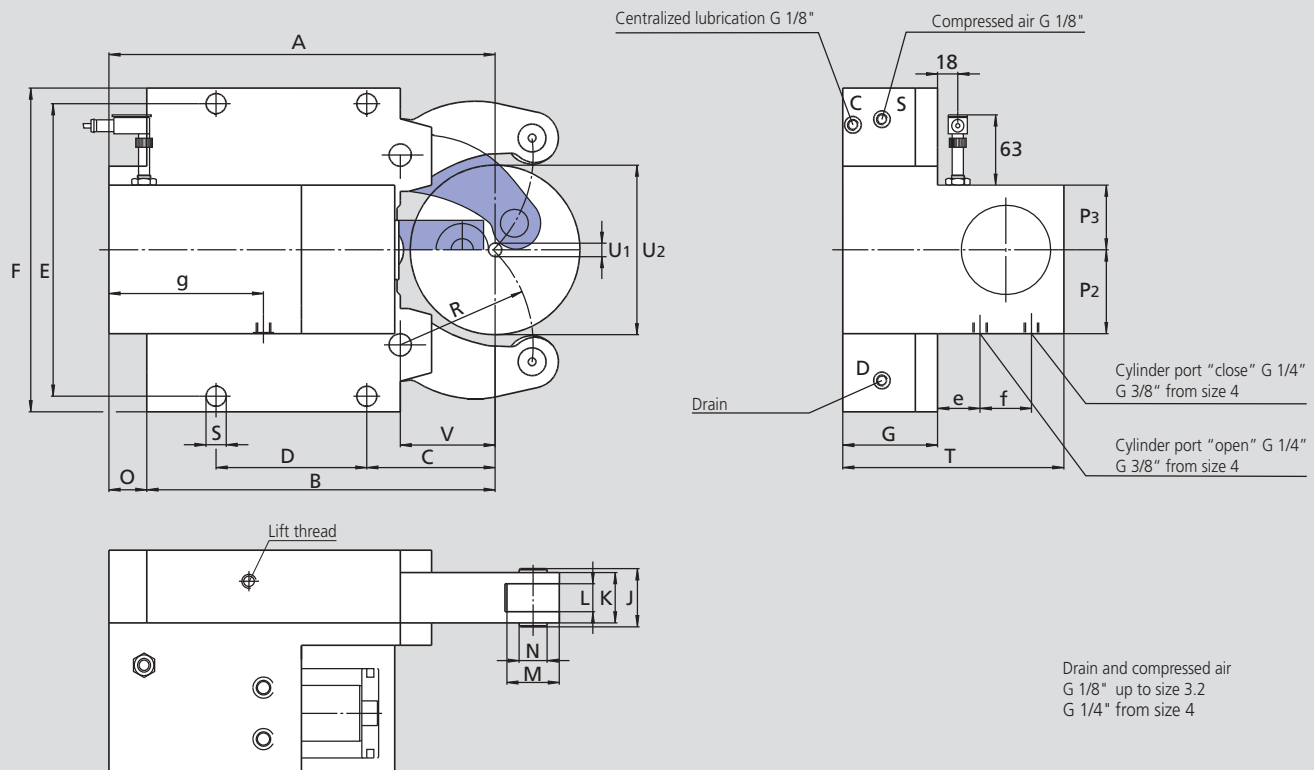


Extra compact with side mounted cylinder

SLU-B

Self-centering steady rests
Standard line

- Monitoring open/closed via proximity switch
- Special sizes on request



Subject to technical changes
For more detailed information please ask for customer drawing

SMW-AUTOBLOK Type Size		SLU-B 3	SLU-B 3.1	SLU-B 3.2	SLU-B 4	SLU-B 5	SLU-B 5.1	SLU-B 6
Centering range without chip guard	U1	12	20	50	35	50	90	125
	U2	152	165	200	245	310	350	460
Centering range with chip guard 3-piece	U1	21	20	50	35	50	90	125
	U2	150	165	200	245	310	350	460
	A	346	354	372.5	480	612.5	632.5	800
	B	312	320	335	448	510	530	709
	C	115	123	138	146	178	198	215
	D	135	135	135	240	270	270	330
	E	262	262	262	365	400	400	610/640
	F	290	290	290	400	440	440	680
	G	85	85	85	110	145	145	145
	J	52	52	52	67	83	83	83
	K	45	45	45	60	75	75	75
Roller width	L	25	25	25	25	29	29	29
Roller diameter	M	47	47	47	52	62	62	80
Collar diameter	N	25	25	25	32	36	36	42
	O	34	34	37.5	32	102.5	102.5	91
	P2	75	75	75	68	85	85	100
	P3	58	58	58	68	85	85	85
	R	119	124	139	172	209	229	290
	S	18	18	18	23	23	23	27
	T	198	198	198	243.5	325	325	350
	V	85	93	103	128	160	180	175
	e	38	38	38	38.5	79.5	79.5	74.5
	f	46	46	46	66	66	66	96
	g	138.5	138.5	138.5	190	261	215	334.5
Piston area*	cm ²	50	50	50	78	78	78	132
Operation pressure min./max.	bar	8/60	8/60	8/60	8/60	8/80	8/80	8/70
Max. clamping force/roller	daN	1000	1000	1000	1500	2000	2000	3000
Centering accuracy within the whole range	mm	0.04	0.04	0.04	0.05	0.06	0.06	0.06
Repeatability accuracy	mm	0.007	0.007	0.007	0.007	0.01	0.01	0.01
Max. roller surface speed	m/min.	725	725	725	715	600	600	560
Mass approx.	kg	45	46	48	106	175	178	483

* On request cylinder differing from standard available
Subject to technical changes!