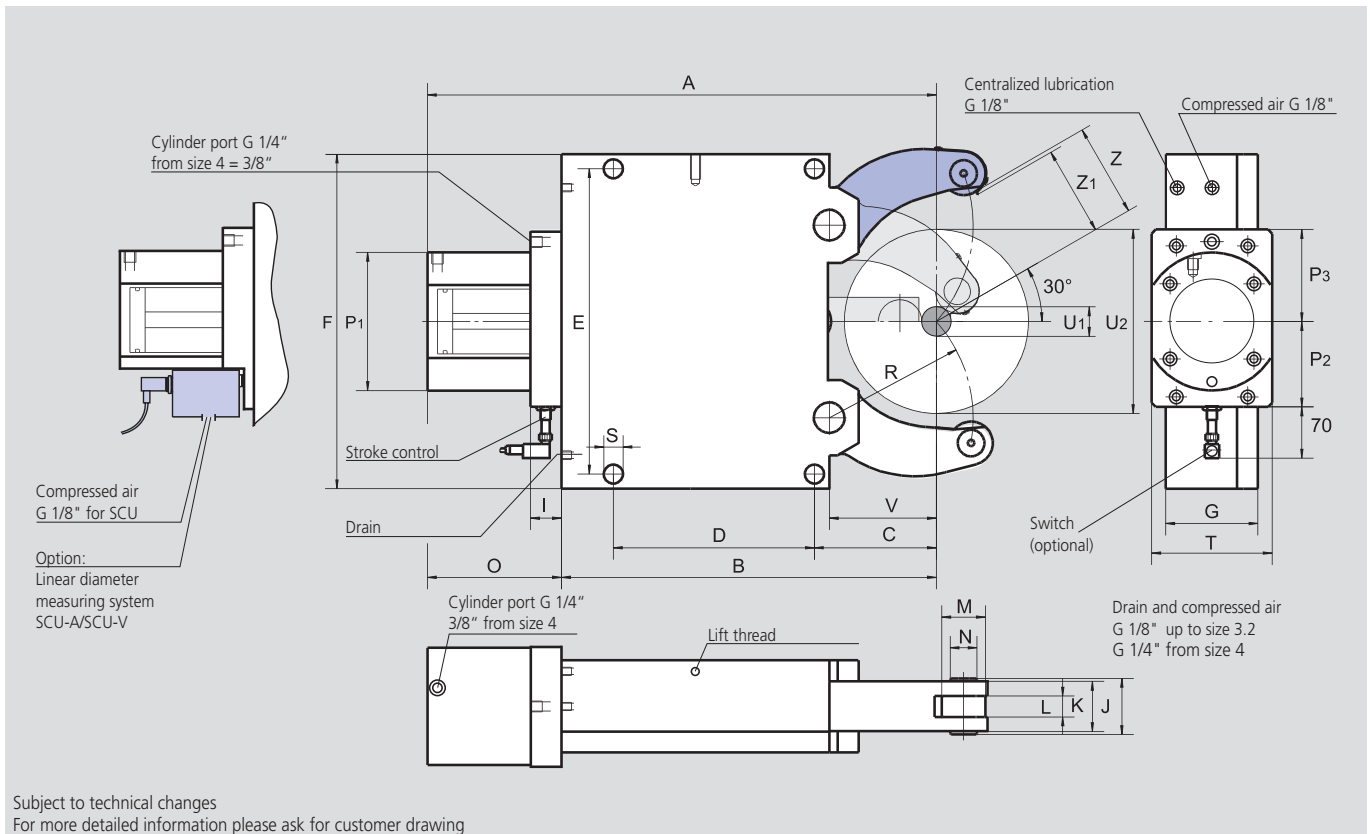


# SLUA®

Self-centering steady rests  
Standard line

## Additional pivoting upper arm for vertical loading

- Monitoring open/closed via proximity switch
- Special sizes on request



Subject to technical changes  
For more detailed information please ask for customer drawing

SMW-AUTOBLOK Type Size		SLUA 1	SLUA 2	SLUA 3	SLUA 3.1	SLUA 4	SLUA 5	SLUA 6
Centering range	U1	4	8	12	22	30	50	160
	U2	52	80	130	150	220	268	460**
	U1	11	16	22	22	30	50	160
	U2	52	80	150	150	220	268	460**
	Z	26.5	41	66	76	111	135	230**
	Z1	24	34	62	72	106.5	130	225**
	A	207	279.5	429	437	608	685.5	944.5
	B	137	195	312	320	448	510	709
	C	51	70	115	123	146	178	215
	D	64	85	135	135	240	270	330
E	118	170	262	262	365	400	610/640	
F	132	190	290	290	400	440	680	
G	55	70	85	85	110	145	145	
I	33	33	37	37	37	37	37	
J	26	42	52	52	67	83	83	
K	20	35	45	45	60	75	75	
Roller width	L	12	19	25	25	29	29	29
Roller diameter	M	19	35	47	47	52	62	80
Collar diameter	N	6	21	25	25	32	36	42
	O	70	84.5	117	117	160	175.5	235.5
	P1	84	102	137	137	165	165	190
	P2	66	72	90	90	102	102	115
	P3	66	75	100	100	110	110	130
	R	50.5	74	119	124	172	209	290
	S	11	14	18	18	23	23	27
	T	70	70	100	100	144	144	158
	V	37	52	85	93	128	160	175
Piston area*	cm <sup>2</sup>	7	19.6	50	50	78	78	132
Operating pressure min./max.	bar	6/50	8/70	8/60	8/60	8/60	8/80	8/70
Max. clamping force/roller	daN	100	450	1000	1000	1500	2000	3000
Centering accuracy within the whole range	mm	0.02	0.02	0.04	0.04	0.05	0.06	0.06
Repeatability accuracy	mm	0.005	0.005	0.007	0.007	0.007	0.01	0.01
Max. roller surface speed	m/min.	800	800	725	725	715	700	700
Mass approx.	kg	6	14	39	40	92	152	420

\* On request cylinder differing from standard available  
\*\* SLUA-6: Loading dia. U2=460 only under 19° installation