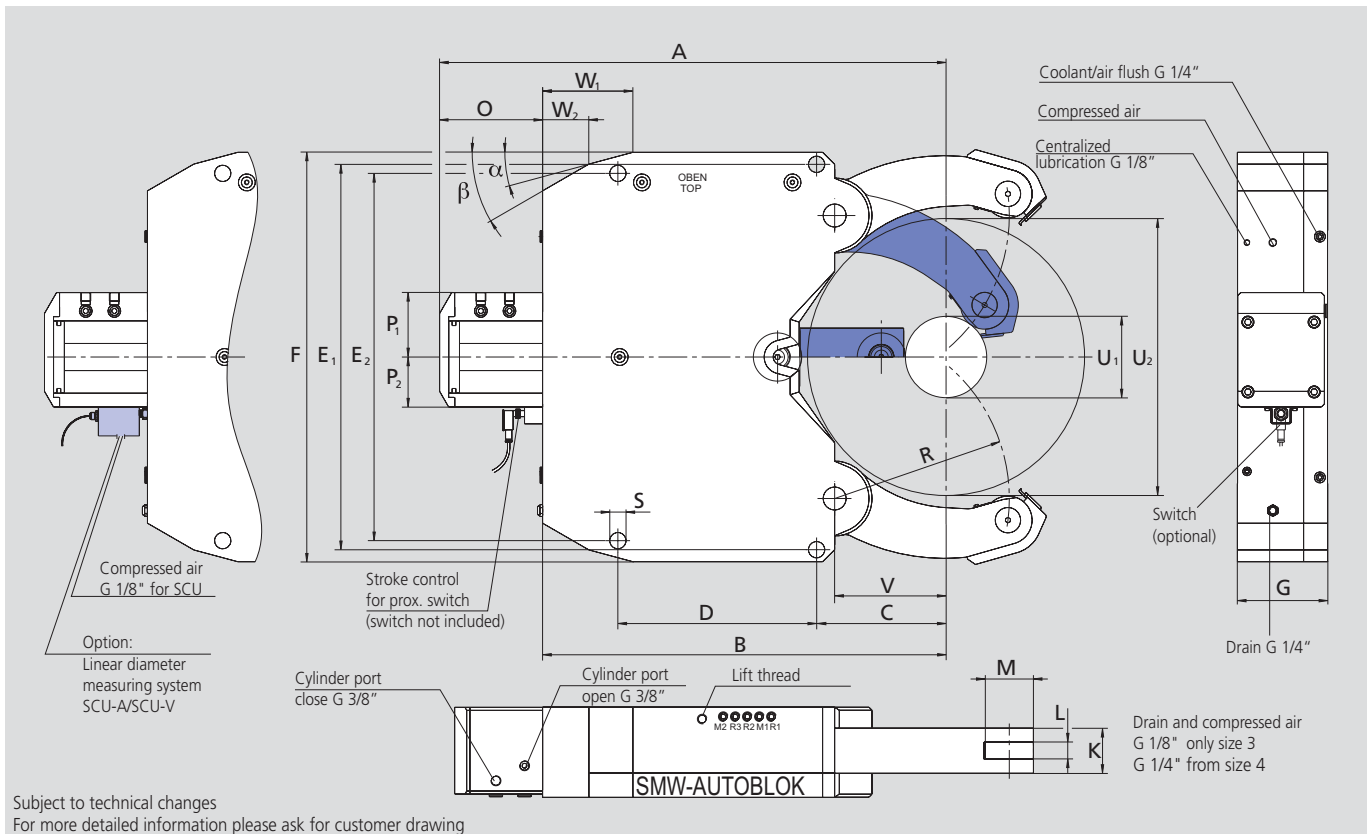


K

Self-centering steady rests
Premium line

Compact design

- Sealed body
- Integrated coolant flush
- Diameter measuring system or proximity switches



SMW-AUTOBLOK Type		K 3	K 4	K 4.1	K 5	K 5.1	K 6	K 6.1
Centering range	U ₁	65	52	90	80	100	135	215
	U ₂	235	280	330	390	410	460	510
	A	443	582	612	753	763	816	815.5
	B	355	480	490	607	617	670	680
	C	150	168	198	230	240	215	245
	D	140	180	180	240	240	330	300
	E ₁	312	360	360	445	445	640	640
	E ₂	312	360	360	445	445	610	610
	F	345	400	400	485	485	680	680
	G	105	125	125	150	150	150	150
	K	45	60	60	75	75	75	75
	L	25	25	25	29	29	29	29
	M	47	52	52	62	62	80	80
	O	88	122	122	146	146	146	135.5
	P ₁	92	91	91	97	97	107	107
	P ₂	62	67	67	73	73	83	83
	R	155	200	228	265	275	290	310
	S	18	23	23	23	23	27	27
	V	115	140	170	195	205	185	215
	W ₁	50	110	110	130	130	150	155
	α	15°	15°	15°	15°	15°	15°	20°
	W ₂	10	59.8	59.8	50.6	50.6	77	87.1
	β	30°	30°	30°	30°	30°	30°	30°
Piston area*	cm ²	38.5	63	63	78	78	113	113
Operating pressure min./max.	bar	8/80	8/70	8/70	8/80	8/80	8/80	8/80
Max. clamping force/roller	daN	1000	1500	1500	2000	2000	3000	3000
Centering accuracy within the whole range	mm	0.05	0.06	0.06	0.07	0.07	0.07	0.07
Repeatability accuracy	mm	0.007	0.007	0.007	0.01	0.01	0.01	0.01
Max. roller surface speed	m/min.	725	715	715	600	600	560	560
Mass approx.	kg	64	114	116	209	209	335	330

* Cylinders differing from standard available on request