

Multiple chucks on fixture, pneumatic Ø 130 - 315 mm

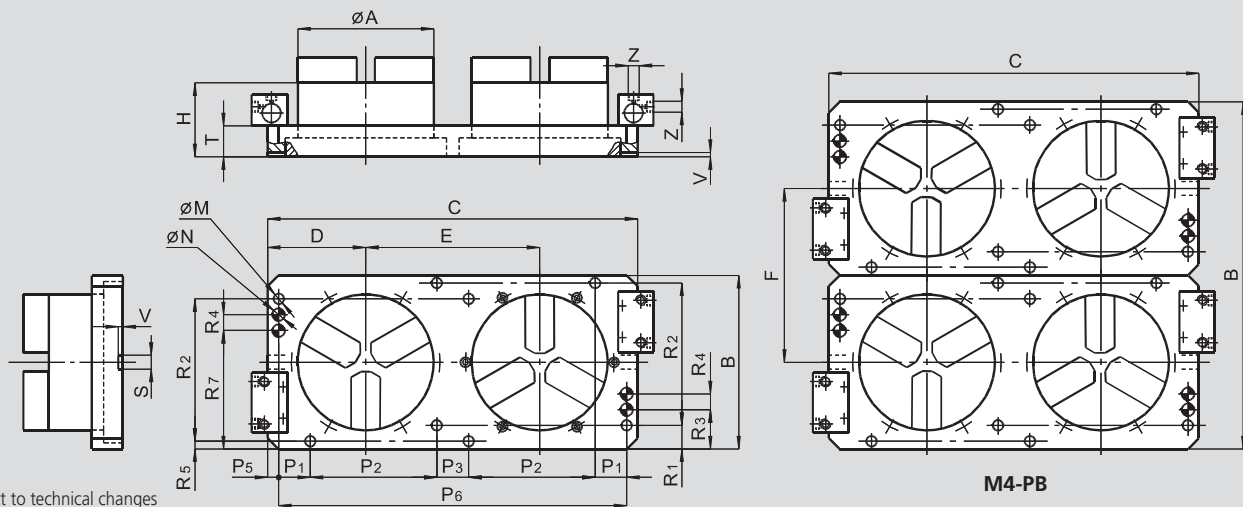
- 2 or 3 jaws (PB-D/PB-M)
- 3 jaws (PB-C)

M2-PB

Multiple fixture
with 2 chucks

M4-PB

Multiple fixture
with 4 chucks



M2-PB dimensions

SMW-AUTOBLOK Type		M2-PB 130	M2-PB 165	M2-PB 210	M2-PB 250	M2-PB 315		
Chuck diameter	A	mm	135	170	215	260	315	
	B	mm	198	224	274	324	374	
	C	mm	400	460	585	660	780	
	D	mm	107.5	131	155	175	205	
	E	mm	185	223	275	310	370	
	H	mm	89	100	117	127	141	
	Fixing holes diameter	M	mm	17	17	17	17	
		N H8	mm	20	20	20	20	
	Reference pin holes	P1	mm	-	50	50	50	50
		P2	mm	150	150	200	250	300
P3		mm	50	50	50	-	-	
P5		mm	25	17.5	17.5	30	40	
P6		mm	350	460	550	600	700	
R1		mm	24	37	37	37	37	
R2		mm	150	175	225	275	325	
R3		mm	24	62	62	62	62	
R4		mm	-	25	25	25	25	
R5		mm	24	12	12	12	12	
R7	mm	174	137	187	237	287		
S	mm	14	18	18	18	18		
T	mm	39	44	49	54	54		
V	mm	6	6	6	6	6		
Pneumatic connections	Z		R1/4"	R1/4"	R1/4"	R1/4"		

M4-PB dimensions

SMW-AUTOBLOK Type		M4-PB 130	M4-PB 165	M4-PB 210	M4-PB 250	M4-PB 315	
Chuck diameter	A	mm	135	170	215	260	315
	B	mm	398	449	549	649	749
	C	mm	400	460	585	660	780
	D	mm	107.5	131	155	175	205
	E	mm	185	223	275	310	370
	F	mm	200	225	275	325	375
	H	mm	89	100	117	127	141
	Fixing holes diameter	M	mm	17	17	17	17
		N H8	mm	20	20	20	20
	Reference pin holes	P1	mm	-	50	50	50
P2		mm	150	150	200	250	300
P3		mm	50	50	50	-	-
P5		mm	25	17.5	17.5	30	40
P6		mm	350	460	550	600	700
R1		mm	24	37	37	37	37
R2		mm	150	175	225	275	325
R3		mm	24	62	62	62	62
R4		mm	-	25	25	25	25
R5		mm	24	12	12	12	12
R7	mm	174	137	187	237	287	
S	mm	14	18	18	18	18	
T	mm	39	44	49	54	54	
V	mm	6	6	6	6	6	
Pneumatic connections	Z	inch	R1/4"	R1/4"	R1/4"	R1/4"	