

High precision power chucks Ø 500 - 800 mm

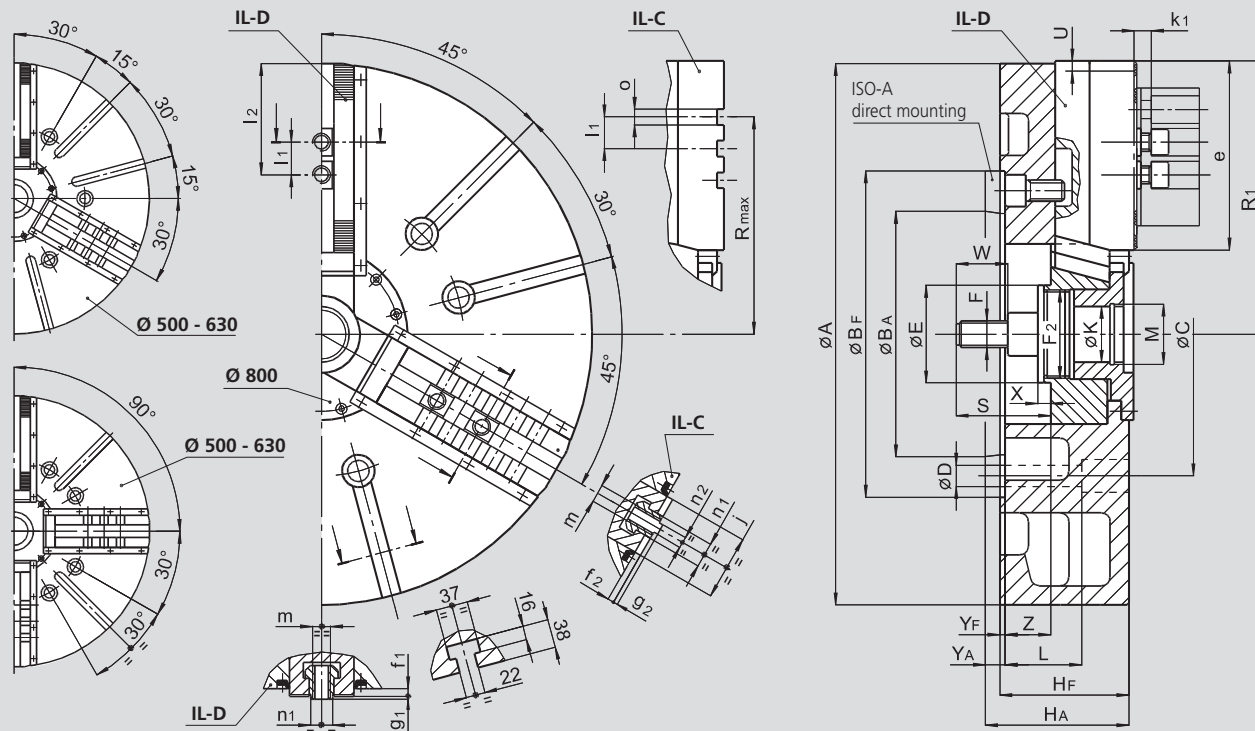
- LONG STROKE
- closed center
- 3 and 4 jaws

IL-D

INCH serration

IL-C

Tongue & groove



Subject to technical changes
For more detailed information please ask for customer drawing

SMW-AUTOBLOK Type	IL-D 500 IL-C 500		IL-D 630 IL-C 630		IL-D 800 IL-C 800	
Mounting	Z380	A15	Z380	A15	Z380	A15
A	mm	510	630		800	
Bf/BA H6	mm	380	380	285.775	380	285.775
C	mm	330.2	330.2		330.2	
D	mm	25	25		25	
E	mm	114	114		114	
F	mm	M30	M30		M30	
F2	mm	M102 x 2	M102 x 2		M102 x 2	
Hf/HA	mm	130	150	167	150	167
K	mm	65	65		65	
L	mm	89	89		89	
M	mm	M68 x 2	M68 x 2		M68 x 2	
Chuck open						
R1	mm	265	321		408	
R	mm	212	250		352	
S	mm	110	110		110	
Jaw stroke						
U	mm	13	15		15	
W	mm	60	60		60	
X	mm	15	15		15	
Yf/YA	mm	6	6	23	6	23
max./min.						
Z	mm	33/0	53/15		53/15	
e	mm	164	220		307	
f1	mm	9	9		9	
f2	mm	8	8		8	
g1	mm	4	4		4	
g2	mm	3	3		3	
j	mm	75	75		75	
k1	mm	16	16		16	
l1	mm	38.1	38.1		38.1	
max./min.						
l2	mm	135/48	190/48		277/48	
m	mm	M20	M20		M20	
n1	h8 mm	25.5	25.5		25.5	
n2	h8 mm	12.7	12.7		12.7	
o	H7 mm	19.03	19.03		19.03	